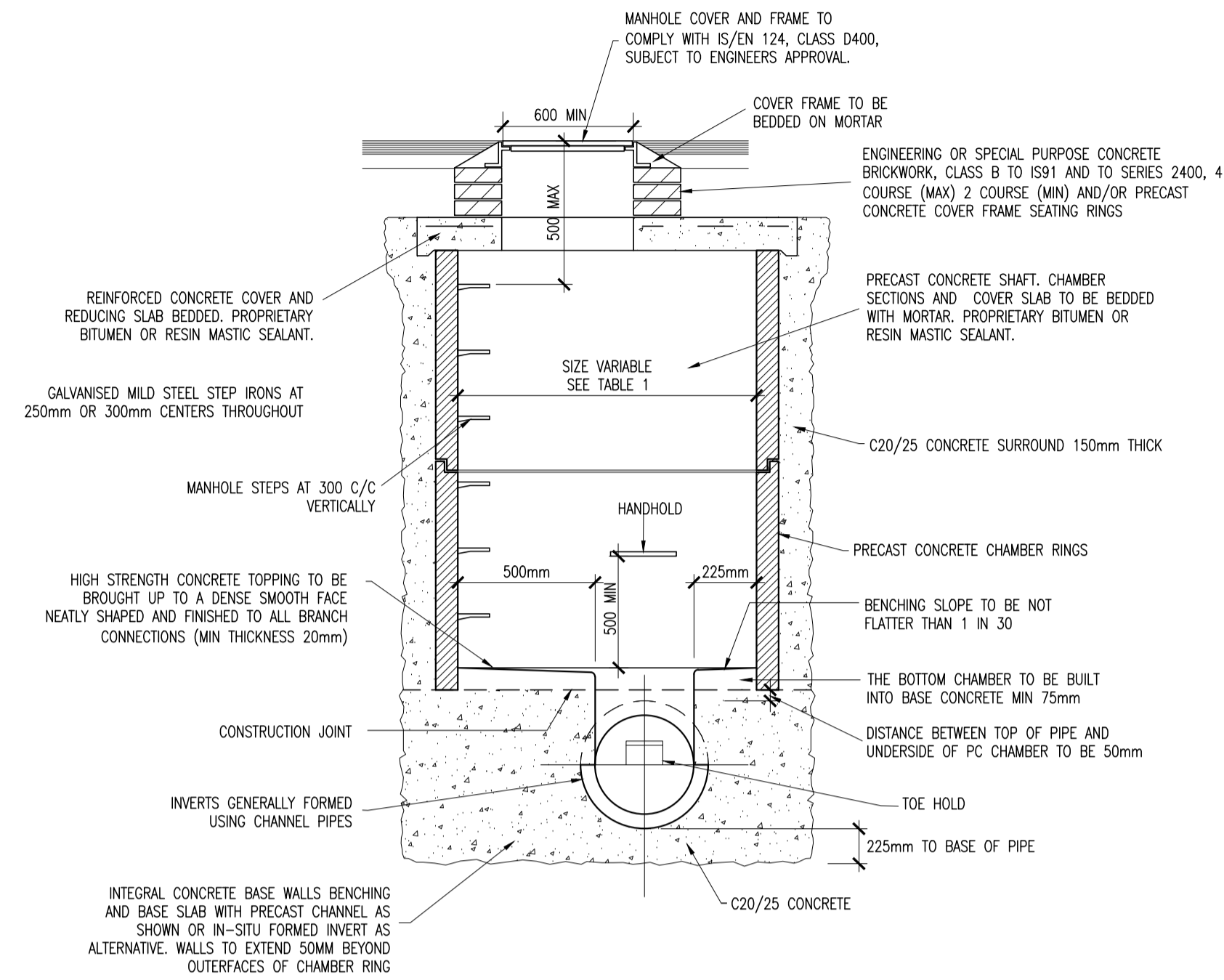
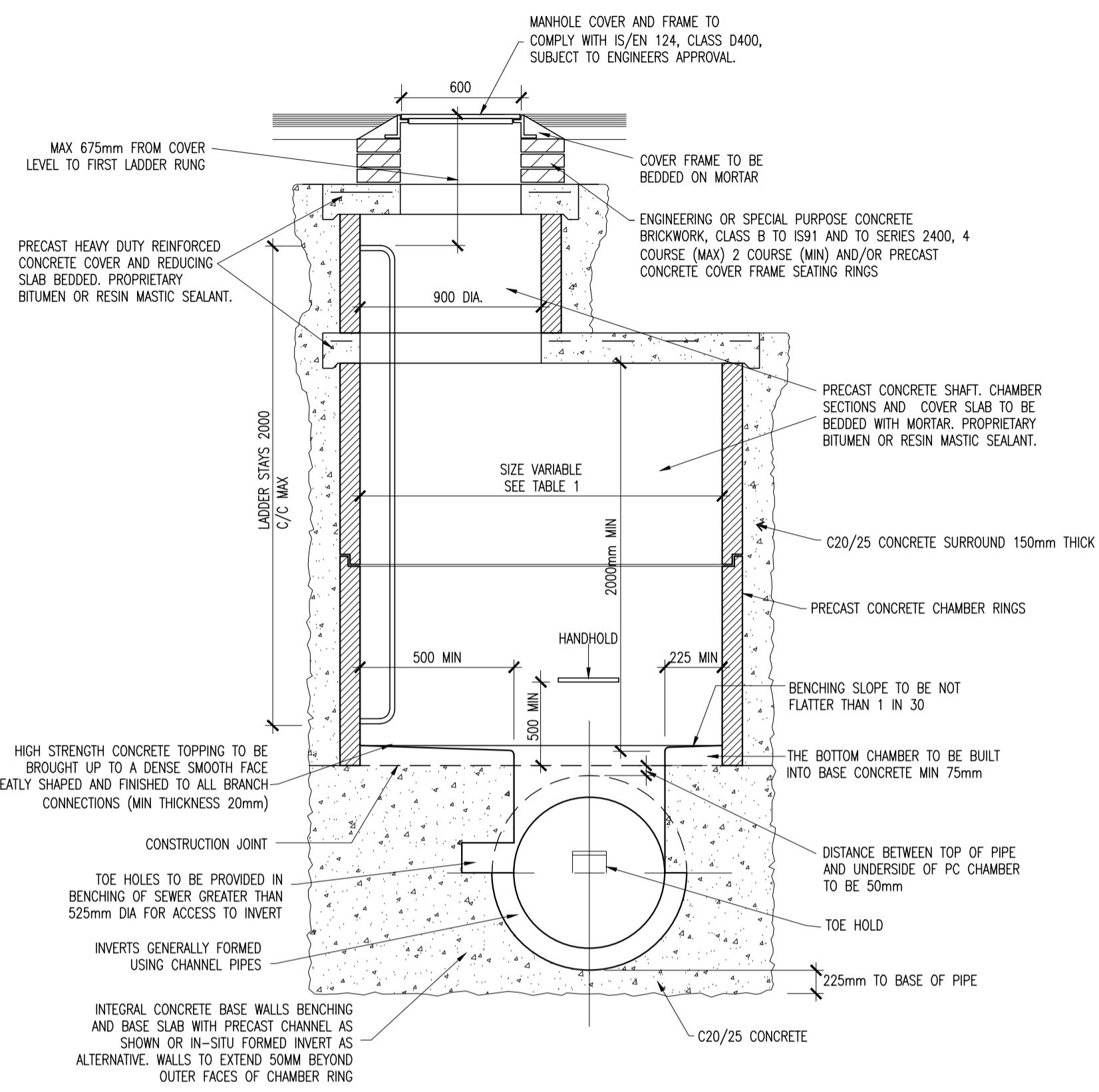


- NOTES:
- ALL REINFORCED CONCRETE ON THIS DRAWING SHALL BE: C25/30 WITH COVER = 50mm MIN. WITH A MINIMUM CEMENT CONTENT OF 280 kg/m³, MAXIMUM W/C RATIO OF 0.65 AND SLUMP CLASS S2.
 - SURFACE FINISHES FOR CONCRETE:
 - CLASS F1 FOR ALL CONCRETE 100mm OR MORE BELOW GROUND LEVEL.
 - CLASS F3 FOR ALL EXPOSED CONCRETE ABOVE 100mm BELOW GROUND LEVEL.
 - ALL EXPOSED CORNERS ON CONCRETE SHALL BE CHAMFERED WITH 25mm x 25mm CHAMFERS.
 - ALL STRUCTURAL CONCRETE (HEADWALLS, RC MANHOLES, PETROL INTERCEPTOR SLABS) TO RECEIVE MC DUR 1680 (OR SIMILAR APPROVED TAR MODIFIED EPOXY RESIN) TO ALL BURIED SURFACES, TO FINISH 100mm BELOW GROUND LEVEL.
 - ALL SEWERS SHALL BE PRESSURE TESTED PRIOR TO BACKFILLING.
 - RIGID PIPES SHALL MEAN CAST OR SPUN IRON, CONCRETE, ASBESTOS CEMENT OR CLAY.

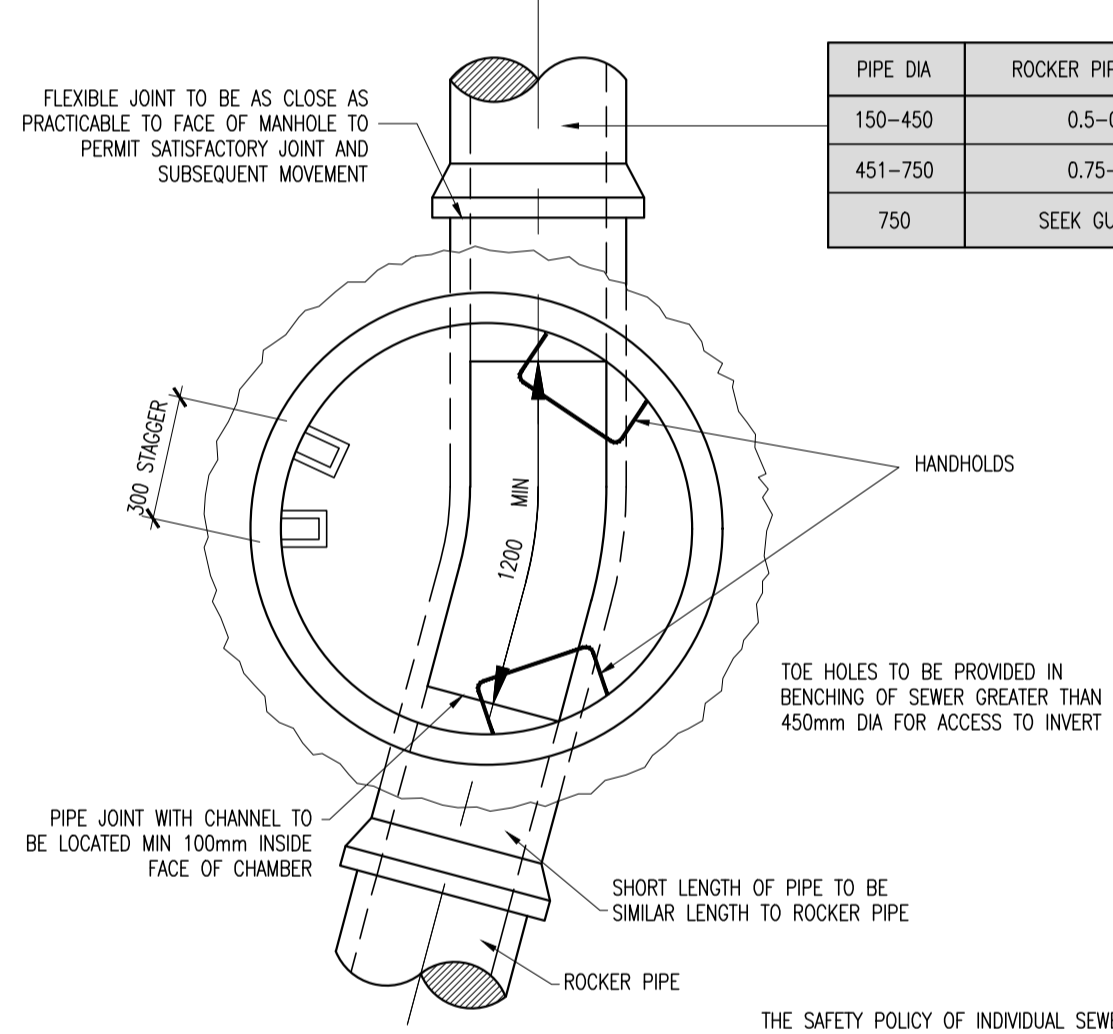
NOTE:
ALL WORKS TO BE UNDERTAKEN IN ACCORDANCE WITH

- TII SPECIFICATION FOR ROADWORKS
- GREATER DUBLIN CODE OF PRACTICE FOR DRAINAGE WORKS
- RECOMMENDATIONS FOR SITE DEVELOPMENT WORKS

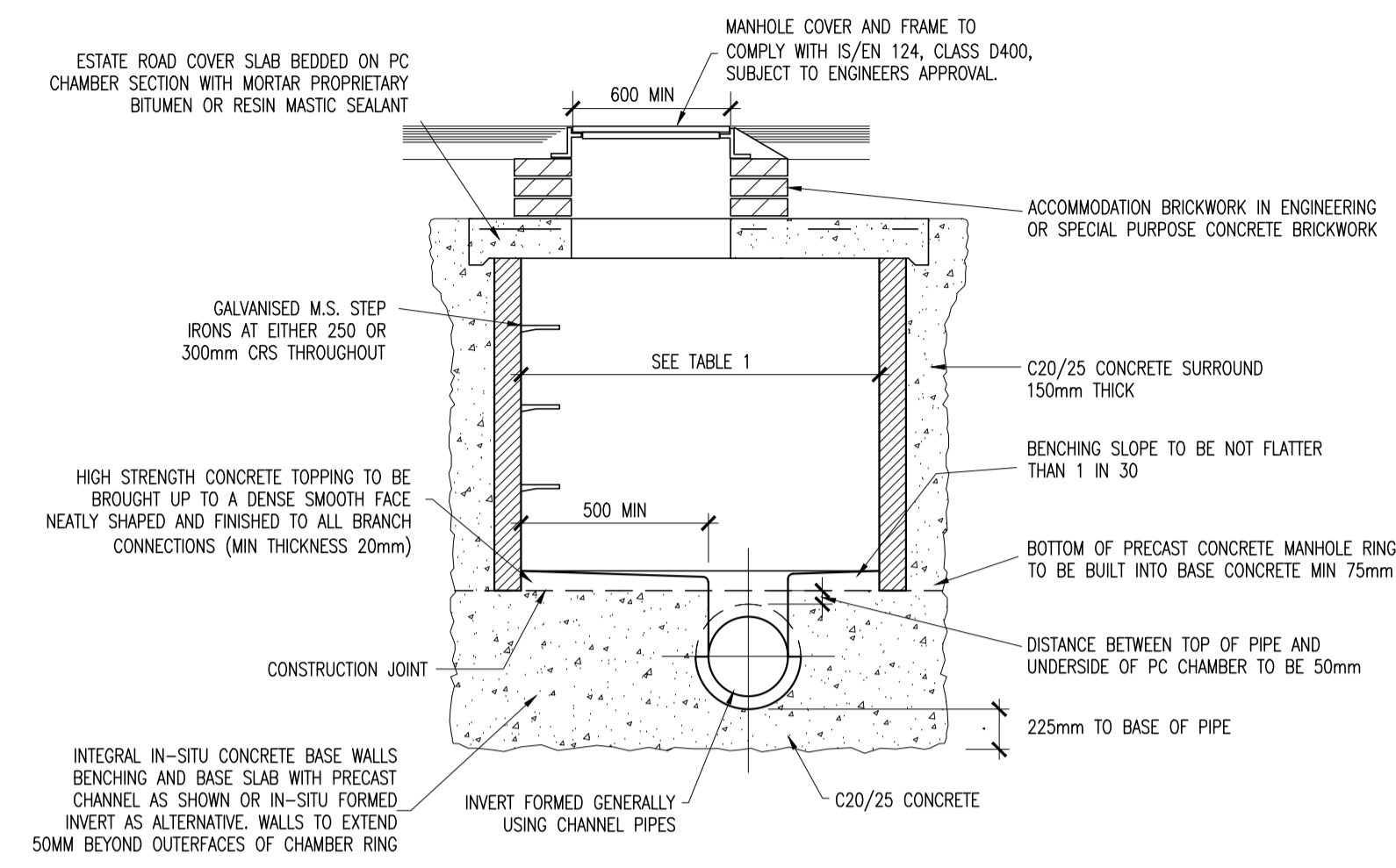
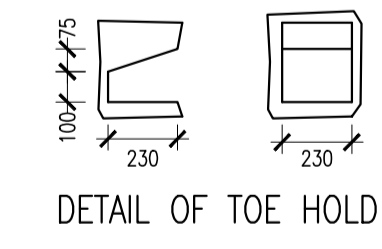
NOTE:
FOR DETAILS OF FOUL SEWER & MANHOLES REFER TO IRISH WATER CONNECTION AND DEVELOPER SERVICES 'WASTEWATER INFRASTRUCTURE STANDARD DETAILS' & 'CODE OF PRACTICE'.



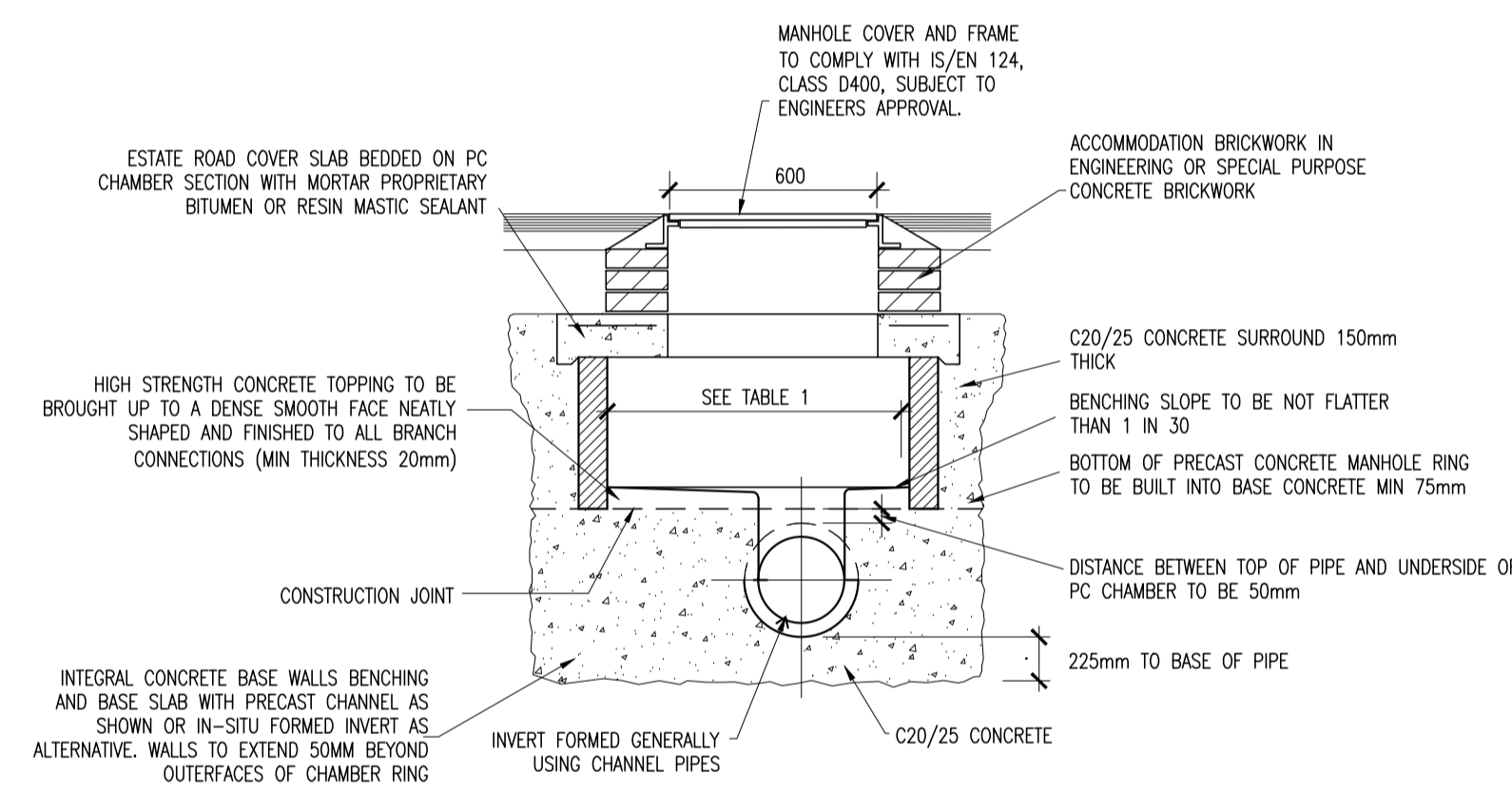
PIPE DIA	ROCKER PIPE LENGTH
150-450	0.5-0.75
451-750	0.75-1.0
750	SEEK GUIDANCE



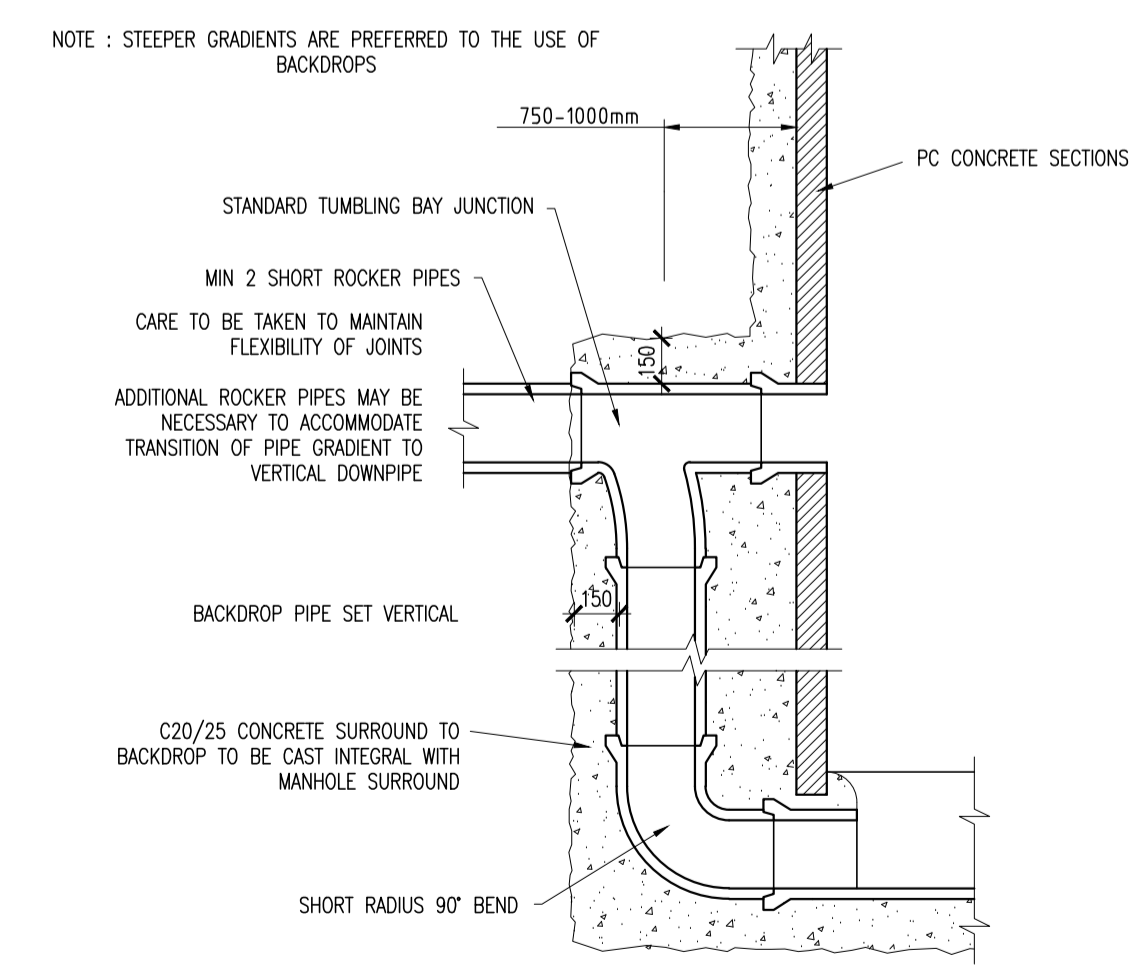
TYPICAL MANHOLE DETAIL
[DEPTH TO SOFFIT 1.35 TO 3m]



TYPICAL MANHOLE DETAIL
[DEPTH TO SOFFIT 1.0 TO 1.35m]



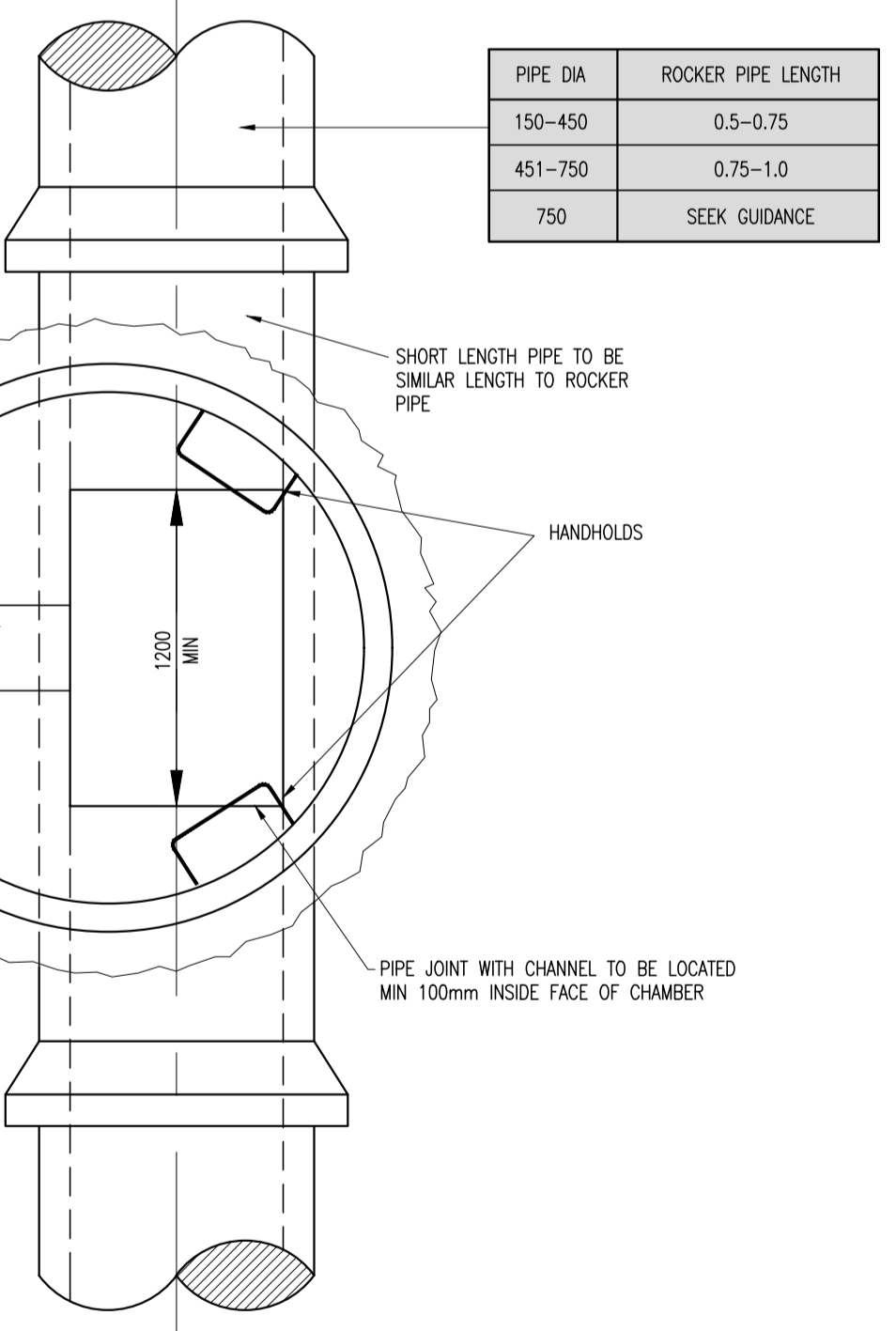
TYPICAL MANHOLE DETAIL
[DEPTH TO SOFFIT LESS THAN 1.0m]



TYPICAL VERTICAL BACKDROP DETAIL

MANHOLES WITH AN INCOMING SEWER OF 900mm DIA AND OVER TO BE AS APPROVED BY THE COUNCIL/UNDERTAKER

THE SAFETY POLICY OF INDIVIDUAL SEWERAGE UNDERTAKERS MAY REQUIRE A LARGER MINIMUM CLEAR OPENING INTO MANHOLES AND THE FITTING OF GUARD BARS, SAFETY CHAINS OR OTHER SAFETY DEVICES IN MANHOLES WITH OUTGOING PIPES OF LESS THAN 600mm DIA



TYPICAL MANHOLE DETAIL
[DEPTH TO SOFFIT 3 TO 6m]

DIAMETER OF LARGEST PIPE IN MANHOLE (mm)	CHAMBER SECTION DIAMETER (mm)		
	1m - 3m	3m - 6m	6m - 12m
LESS THAN 375	1050	1050	1500
<600	1200	1200	1500
<675	1350	1350	1500
<750	1350	1500	1500
<900	1500	1500	1500
<1200	2100	2100	2100

TABLE 1

PO2	11/02/22	ISSUED FOR PLANNING	RSP	LM/LC
PO1	15/06/21	ISSUED FOR PRE-PLANNING	KGO	LM/LC
rev	date	description	by	chkd.
		A - Approved		
		B - Approved with comments		
		C - Do not use		

client approval

suitability

S2 - INFORMATION

PLANNING

DBFL Consulting Engineers

Civil, Structural & Transportation Engineering

www.dbfl.ie

DUBLIN OFFICE: Ormond House, Upper Ormond Quay, Dublin 7, D07 W704
PHONE: +353 1 404 4000

CORK OFFICE: 14 South Mall, Cork, T12 CT91
PHONE: +353 (0) 21 2245338

WATERFORD OFFICE: Suite 10 The Arkun, Waterford Quay, Canalside, Waterford, X91 W028
PHONE: +353 51 309 500

PROPOSED RESIDENTIAL DEVELOPMENT, LUSK, COUNTY DUBLIN

STANDARD SURFACE WATER MANHOLE DETAILS

client

DWYER NOLAN DEVELOPMENTS

designed by	author	scale	sheet size
LM/LC	KGO	AS SHOWN	A1
drawing no.	revision		
170006-DBFL-ZO-SP-DR-C-5001	P02		