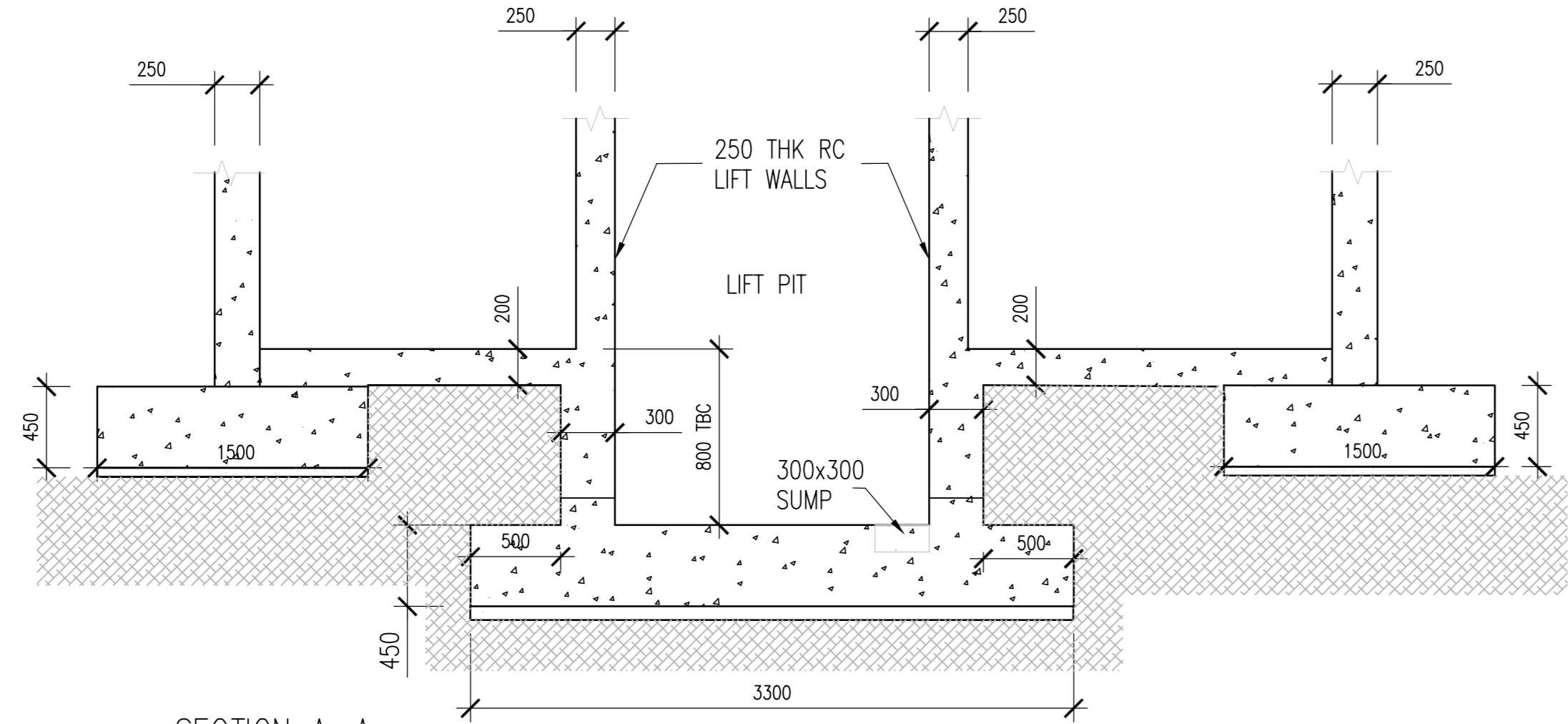


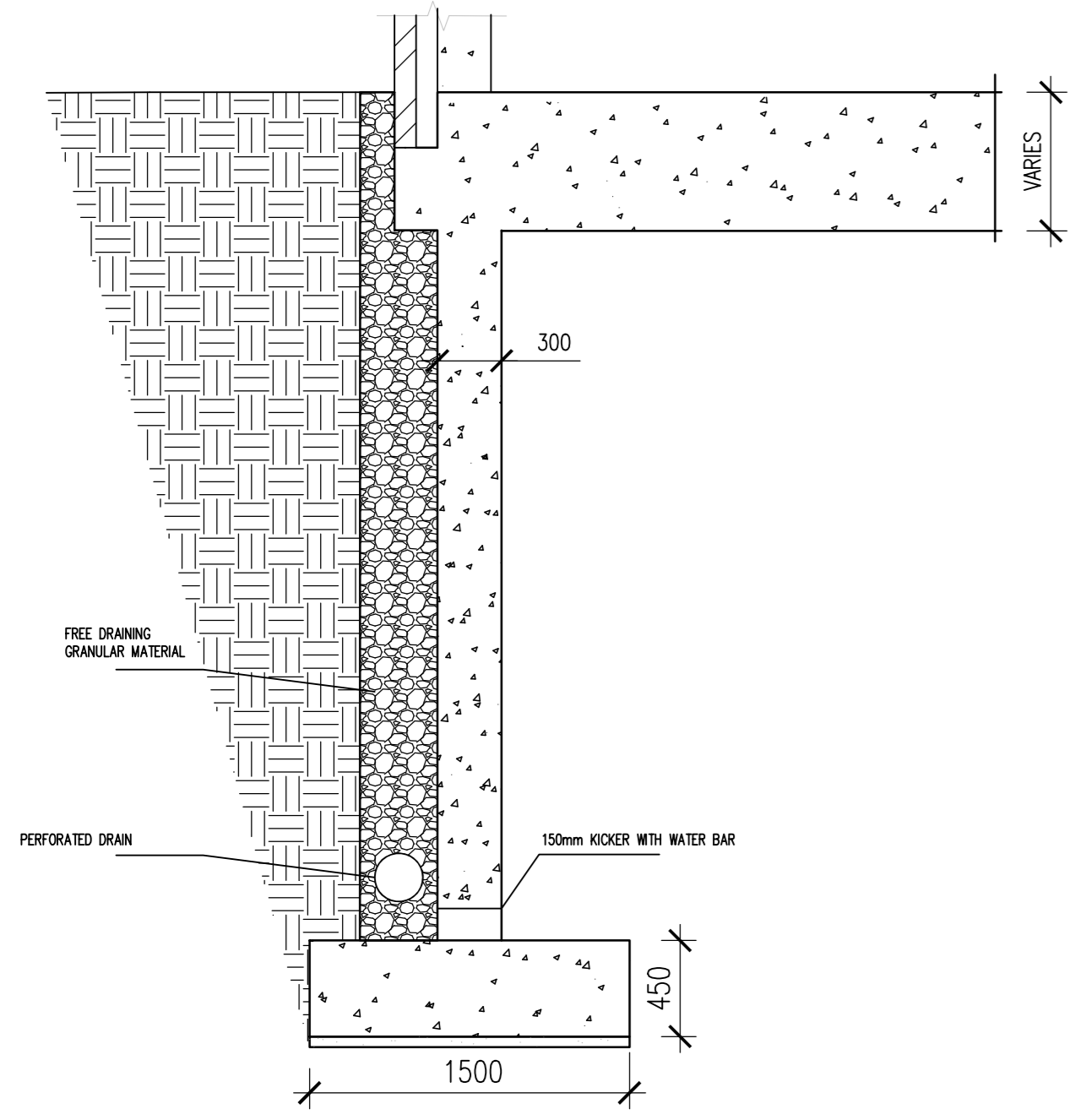
NOTES:



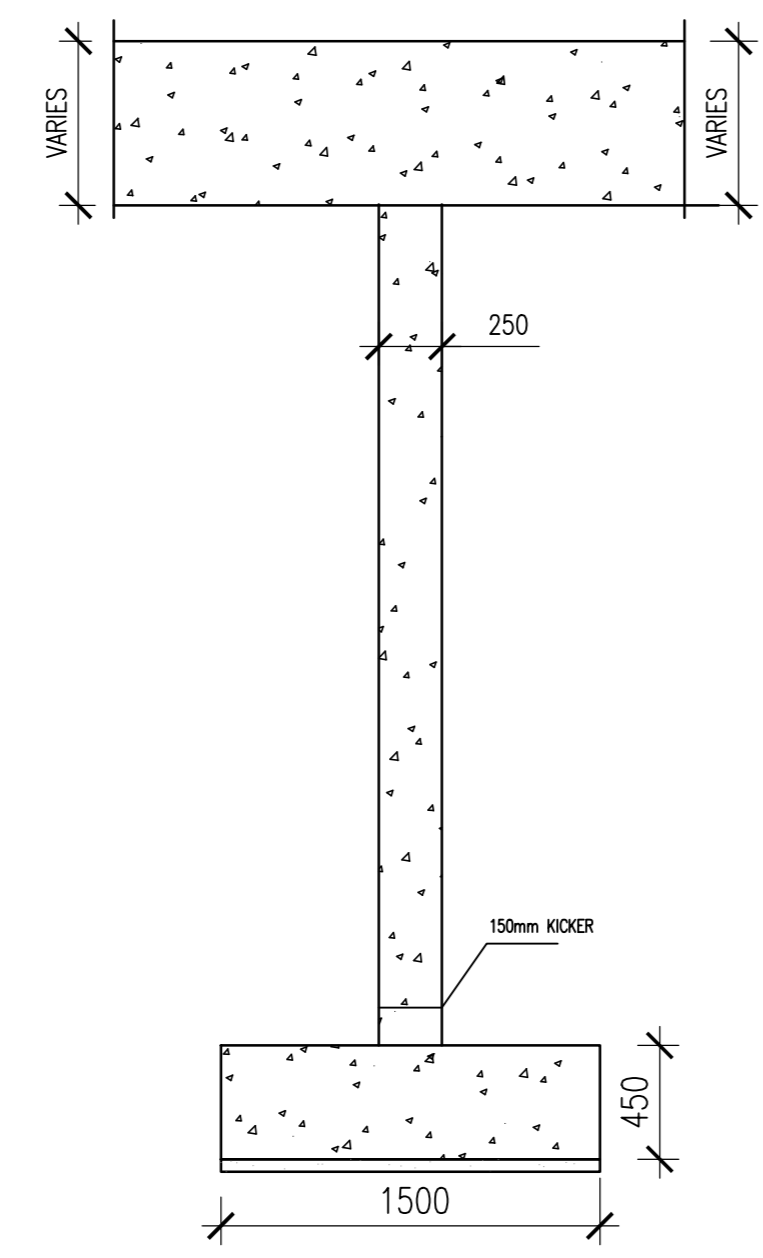
SECTION A-A
TYPICAL LIFT PIT

DESIGN OF STRUCTURAL ELEMENTS IS BASED ON AN ALLOWABLE BEARING PRESSURE OF 200 kN/m². THIS HAS BEEN GATHERED FROM PUBLICLY AVAILABLE INFORMATION AND EXPERIENCE WORKING IN THE LOCALITY.

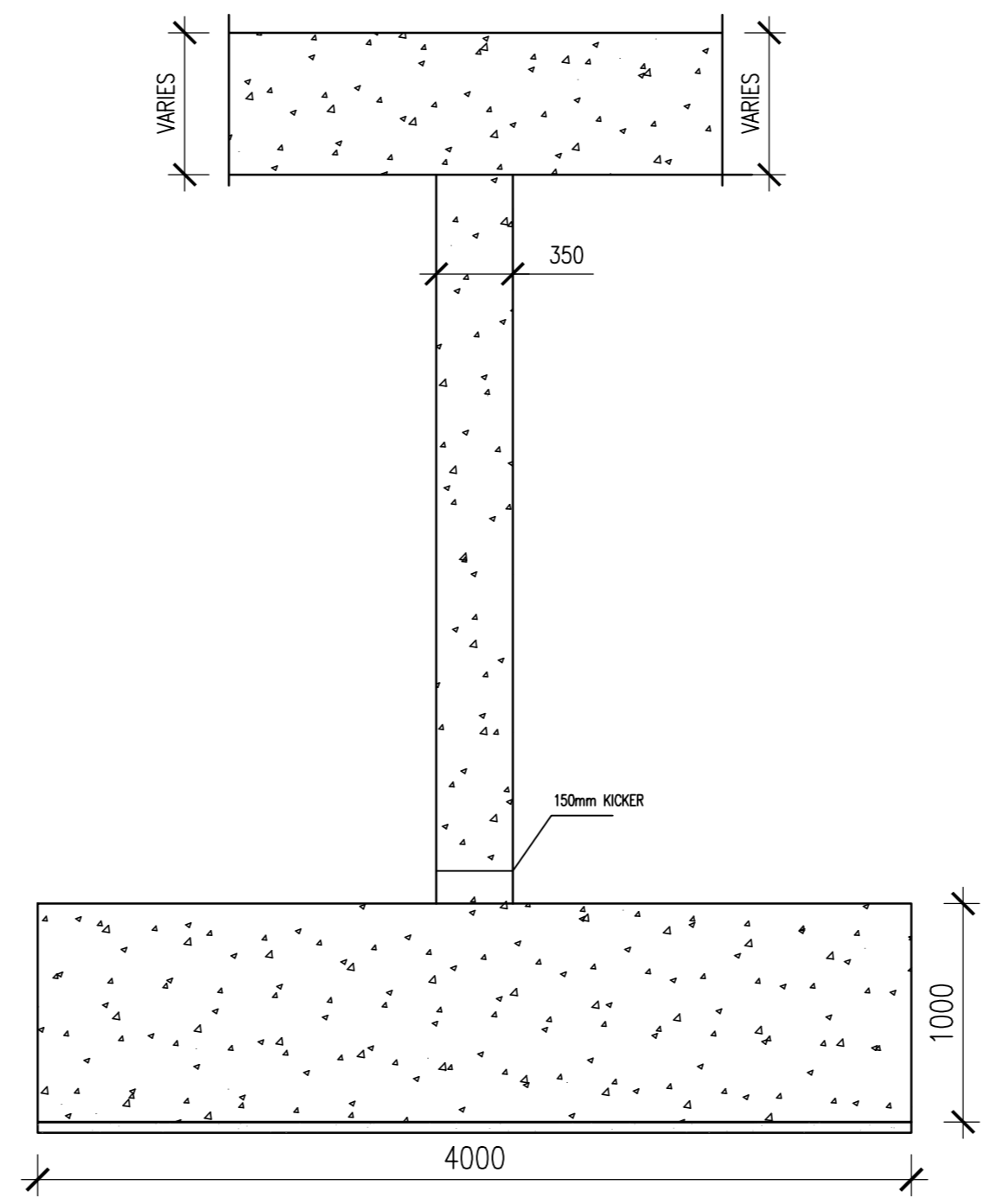
PERIMETER BASEMENT WALL TO BE 300 thk RC WALLS.
INTERNAL BASEMENT WALL TO BE 250 thk RC WALLS.
ALL STRIP FOUNDATIONS TO BE 1500x450 dp.
ALL PAD FOUNDATIONS TO BE 4000x4000x1000 dp.



SECTION B-B
BASEMENT PERIMETER WALL

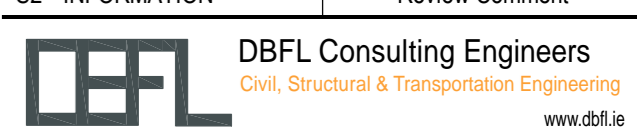


SECTION C-C
BASEMENT INTERNAL WALL



SECTION D-D
PAD P1 FOUNDATIONS
22 No.

P01	25/02/22	ISSUED FOR PLANNING	BEF	BEF
rev	date	description	by	chkd.
		A - Approved		
		B - Approved with comments		
		C - Do not use		
client approval				
suitability		issue purpose		
S2 - INFORMATION		Review Comment		



DUBLIN OFFICE Ormond House, Upper Ormond Quay, Dublin 7, Ireland.
PHONE: +353 1 400 4000
CORK OFFICE: Private House, Monahan Road, Cork.
PHONE: +353 (0) 21 2024538
WATERFORD OFFICE Unit 2, The Quay, 1-2 O'Connell Street, Waterford, Ireland.
PHONE: +353 (0) 51 300 500

project ref.

Proposed Residential Development
Lusk, Co.Dublin

drawing title
Block E
Basement Sections

client
Dwyer Nolan Ltd

designed by	author	scale	sheet size
CFD	BEF	As noted	A1
drawing no.			revision
170006-DBFL-Z0-00-DR-S-3000			P01